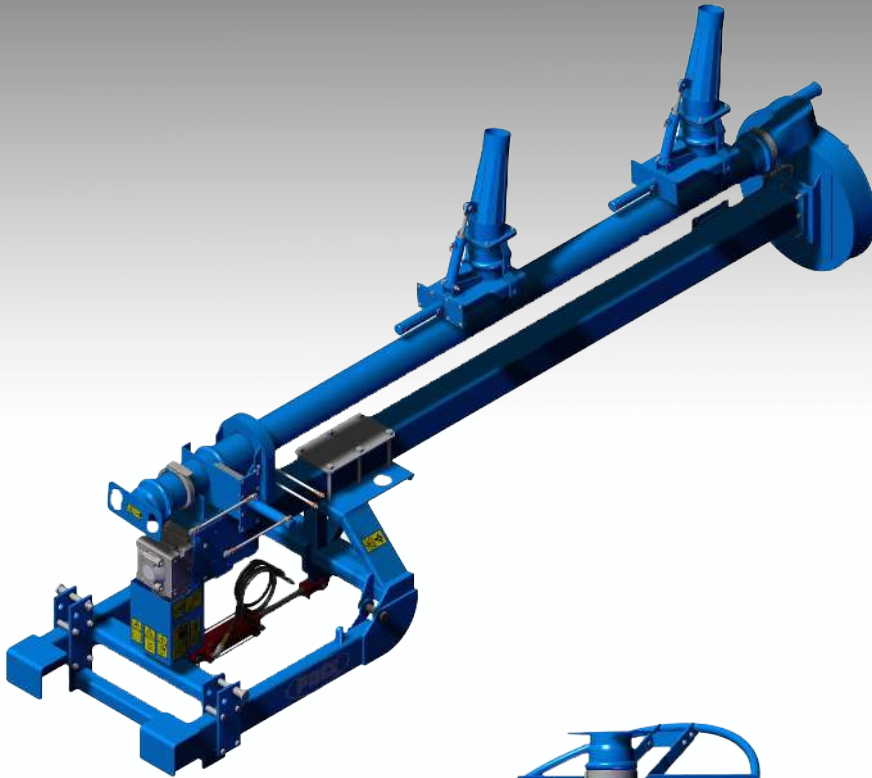


6000E, 6000, 8000, & 8000HP VERTICAL PIT PUMPS



PTO Driven

Electric Motor Driven



**SIMPLE, RELIABLE,
& FLEXIBLE**

- ✓ Agitates, Loads, and Transfers Fast
- ✓ High-volume Pumping
- ✓ Easy to Operate and Service
- ✓ Durable, Long-Lasting



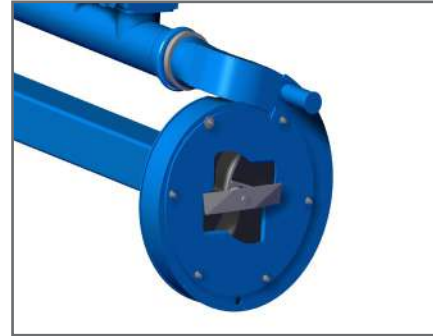
6000, 8000, & 8000HP, PTO Drive Vertical Pit Pumps FEATURES

6000E, Electric Drive Vertical Pit Pump FEATURES

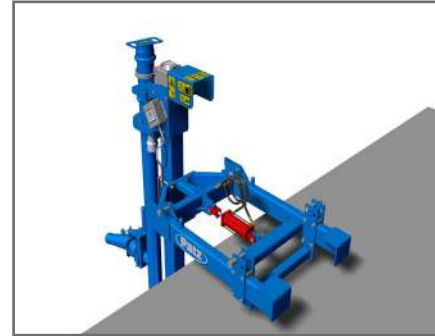
STANDARD FEATURES



The **PTO Drive** agitates below-ground liquid manure storage pits and loads liquid manure spreaders. Available in 540 or 1000 RPM.



Voluted **impeller blades** in curved housing save time agitating, transferring, and loading. AR400 steel impeller, housing, and shear plate provide longer life.

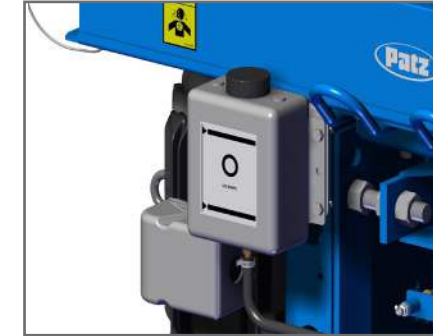


Easily insert and position pump into pit with an articulated **2-point hitch**. Choose from manual or all-hydraulic controls.

STANDARD FEATURES



The **belt drive system** creates less stress on the upper drive shaft and bearings.



An **oil reservoir** makes reading oil levels simple. A large fill hole makes adding oil easy.

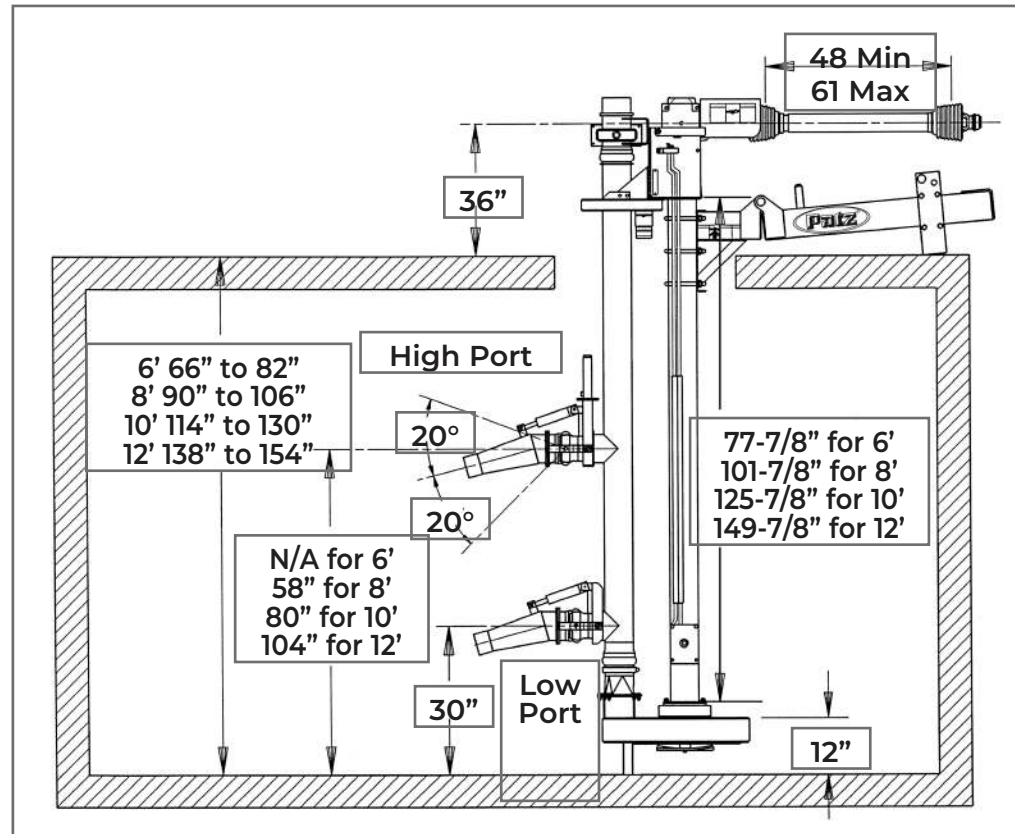


Motor options include: Twin 15, 20, 25, or 30 HP 3-phase.

INSTALLATION MEASUREMENTS

Pumps are available in 4 lengths to match your pit depth: 6', 8', 10', and 12'.

U-bolts allow adjustments to be made for precise placement.



Single or dual **hydraulic nozzles** with shut-off valves flex 5° above to 35° below horizontal. Multiple size nozzles available.

OPTIONAL



The optional 20' load-out pipe has wheeled undercarriage.



User-friendly slide & tilt kit allows pump to be easily inserted into pit.



Stationary base secures to manure pit cover or wall.



2-point hitch for easy service removal.



Manure can quickly be pumped directly from the pit into tanker or other manure transport equipment using the portable load-out kit.

6000E, 6000, 8000, & 8000HP Vertical Pit Pumps SPECIFICATIONS

STANDARD Equipment	6000E	6000	8000	8000HP
Distance from Pit to Storage, Max	300' (6" PVC pipe)	300' (6" PVC pipe)	350' (8" PVC pipe)	350' (8" PVC pipe)
Tractor HP, Minimum	n/a	100	100	140
Mounting	Electric Drive: 2 point hitch for service removal; Slide & Tilt	PTO Drive: 2-point hitch with hydraulics for tilting	PTO Drive: 2-point hitch with hydraulics for tilting	PTO Drive: 2-point hitch with hydraulics for tilting
Pump Length (feet) <i>Pit cover top to pit floor measurement</i>	6, 8, 10 & 12	6, 8, 10 & 12	6, 8, 10 & 12	6, 8, 10 & 12
Pump Capacity-Loading, Maximum	2,200 GPM	2,500 GPM	3,000 GPM	3,500 GPM
Pump Capacity-Agitation, Maximum	3,000 GPM	3,000 GPM	3,500 GPM	4,000 GPM
Operating Speed, RPM	n/a	540 or 1000	540 or 1000	540 or 1000
Power Source	Electric	PTO	PTO	PTO
HP Motor Requirements	Twin 15, 20, 25, or 30 HP, 3 phase	n/a	n/a	n/a



CAUTION: Never operate Patz equipment without all shields and guards in place. *Safety Is No Accident.* Before operating any piece of equipment, be sure to read and understand the operator's manual. This manual should be kept with the machine at all times. Additionally, make sure all safety shields and devices are functioning properly and are securely in place.

For some photos in this brochure, guards were removed for photographic purposes only to allow viewing of the equipment features. Before operating equipment, all guards must be in place. Because Patz continually improves and updates products, Patz reserves the right to change the construction of machines or attachments or any part thereof without incurring any obligation to make like changes on Patz machines, or attachments previously delivered. Specifications and prices subject to change without notice.